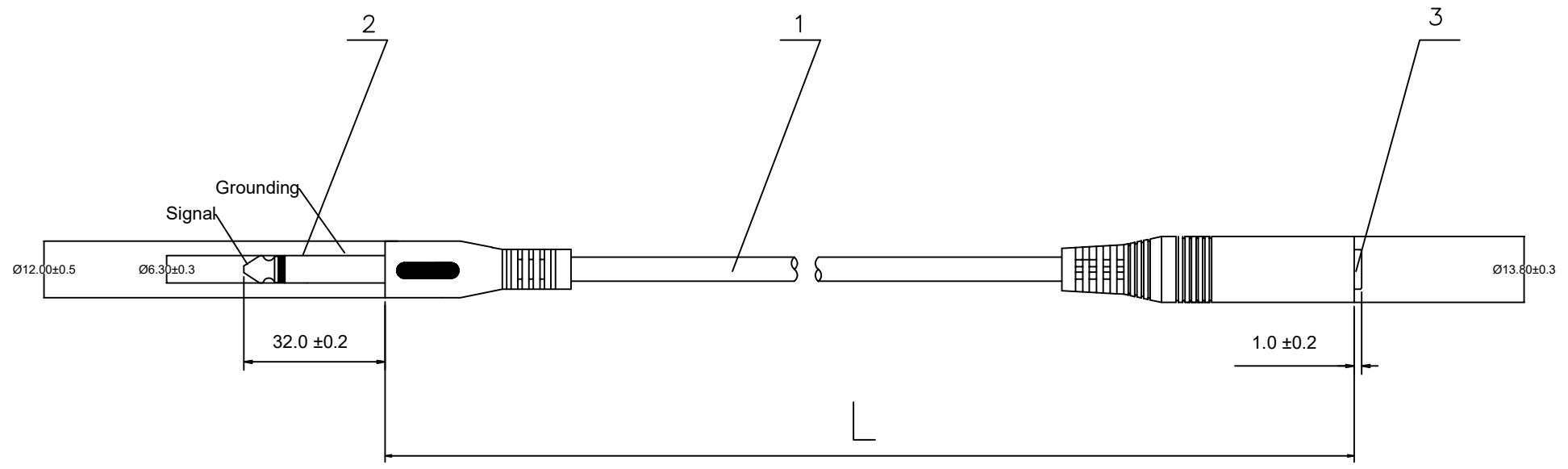


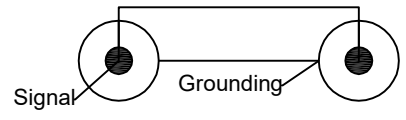
NOTE: ALL MATERIAL COMPLIANT ROHS STANDARD

REVISION INFORMATION			
Rev.	Rev. Date	Modified By	Brief Description
1.0	2022.04.07	Cheng Pu	Mono Male/Female Cable



Connection

1 / 4" Mono Plug 1 / 4" Mono Jack



ELECTRICAL TESTING
 1. CONDUCTOR RESISTANCE: ≤5Ω 300V DC



NO.	PART NAME	SPECIFICATION DESCRIPTION	QTY	UNIT
③	Jack	1 / 4" Mono Jack	1	1
②	Plug	1 / 4 " Mono Plug	1	1
①	Cable	10/1.0CCS*1C+10/0.10CCS OD:5.0	1	1

DRAWN BY Mr. Kuo	DATE: 2022.02.23	DESCRIPTION: Mono Male/Female Cable
CHECK BY Mr. Liu	SHEET 1 of 1	ITEM NO. LS-14AC-MF-XX
APPROVED BY John Lee	SCALE 2:1	REV. 00 UNIT: mm